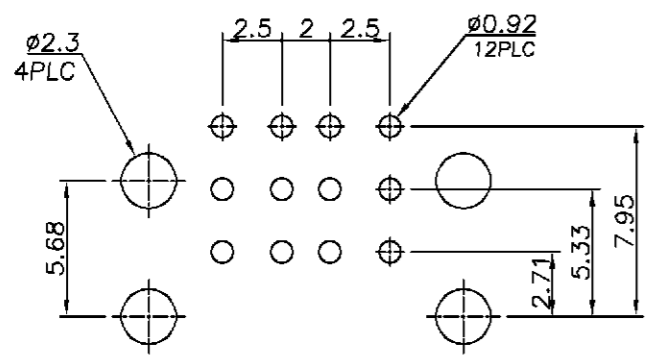
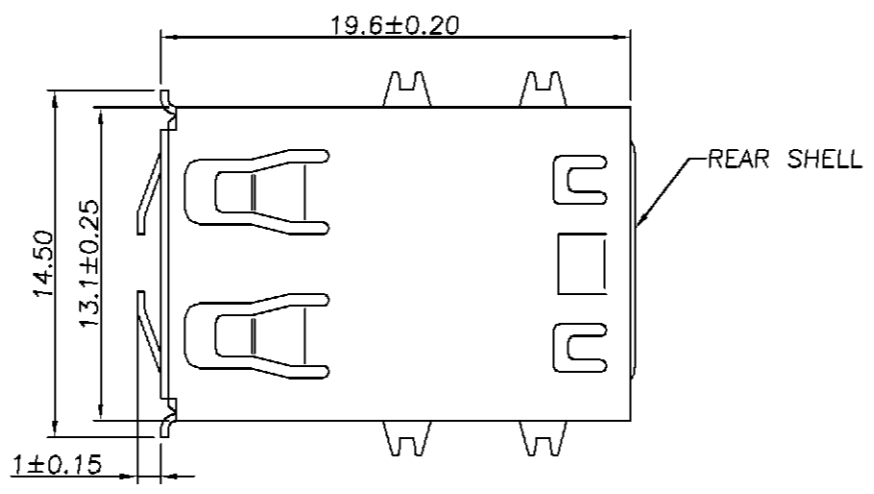


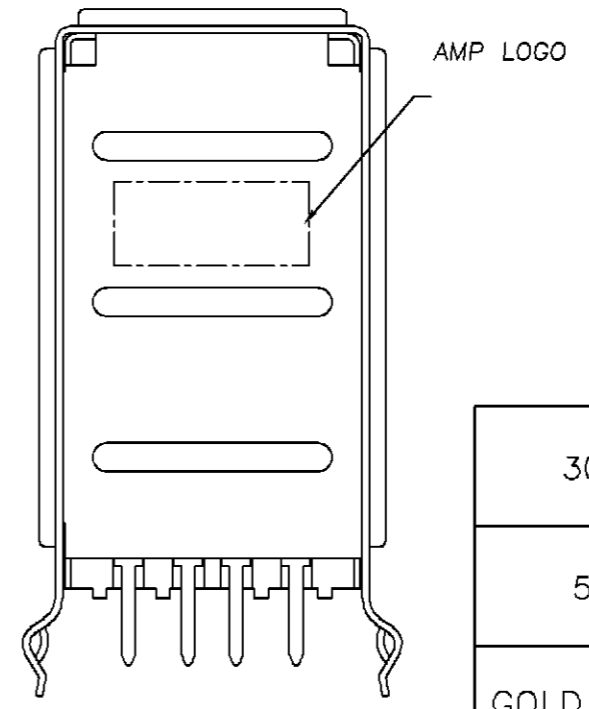
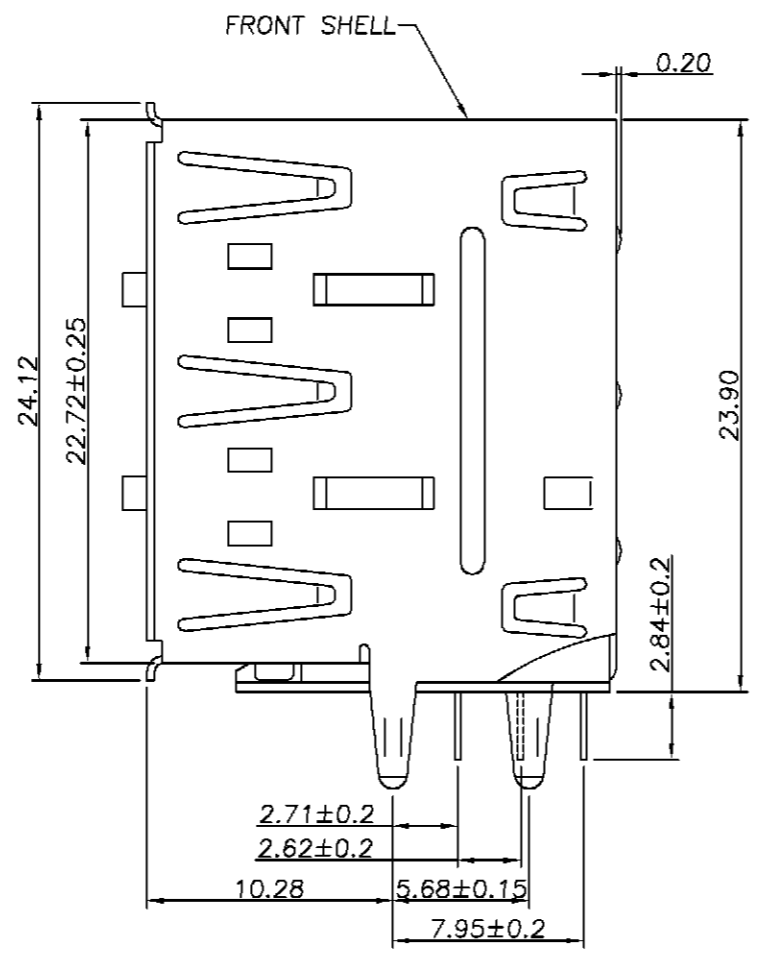
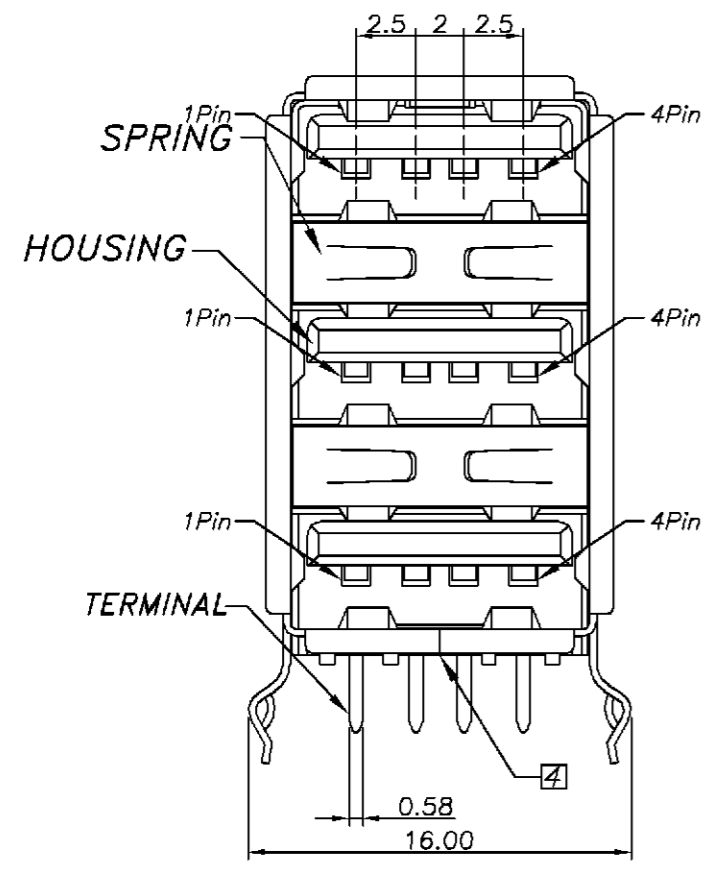
NUMBER C-1734181  
 METRIC  
 PRINT DIST DW  
 THIS INFORMATION IS CONFIDENTIAL AND IS DISCLOSED TO YOU ON CONDITION THAT NO FURTHER DISCLOSURE IS MADE BY YOU TO OTHER THAN AMP PERSONNEL WITHOUT WRITTEN AUTHORIZATION FROM AMP (TAIWAN) LTD. DIMENSIONS IN MILLIMETERS. DO NOT SCALE PRINT.



RECOMMENDED PCB LAYOUT  
 PCB TOLERANCE : ±0.05



- NOTES :
- MATERIAL :  
 HOUSING : THERMOPLATIC, UL 94V-0, COLOR: SEE TABLE.  
 CONTACT : PHOSPHOR BRONZE, (t=0.25mm).  
 FRONT SHELL & SPRING : BRASS, (t=0.30mm).  
 REAR SHELL : SPCC (t=0.30mm).
  - FINISH :  
 CONTACT : GOLD PLATED(SEE TABLE) ON CONTACT AREA, 100u" MIN. TIN PLATED ON SOLDER TAILS, 50u" MIN. NICKEL UNDERPLATED ALL OVER.  
 FRONT SHELL: 40u" MIN. NICKEL PLATED OVER 50u" MIN. CU UNDERPLATED ALL OVER.  
 REAR SHELL: 100u" MIN. NICKEL PLATED OVER 100u" MIN. CU UNDERPLATED ALL OVER.
  - TOLERANCE : ±0.30mm.
  - GAP.0.25mm(MAX.)



30μ"	BLACK	1734181-6
	WHITE	1734181-5
5μ"	BLACK	1734181-4
	WHITE	1734181-3
GOLD FLASH	BLACK	1734181-2
	WHITE	1734181-1
MIN. GOLD THICKNESS	HSG. COLOR	PART NUMBER

DIMENSION :	DWN	O. HU	TYCO HOLDINGS (BERMUDA) VII LTD. TAIWAN BRANCH	
0 PLC ±		29-APR-2004	RCPT. ASS'Y TRIPLE STACKED USB, R/A, A TYPE.	
1 PLC ±	CHK	S. HOU	NAME	
2 PLC ±		29-APR-2004	RCPT. ASS'Y TRIPLE STACKED USB, R/A, A TYPE.	
3 PLC ±			LOC DW A <sub>3</sub> C-1734181	
ANGLES ±3'			REV 0	
MATERIAL	APVD	T. KE	SCALE	
SEE NOTE		29-APR-2004	SHEET 1 OF 3	
	PRODUCT SPEC	108-57113		
	APPLICATION SPEC			
	WEIGHT			

O	FIRST RELEASED	FZ00-0074-04	OH SH	30APR 2004
LTR	REVISION RECORD	ECN	DWN CHK	DATE

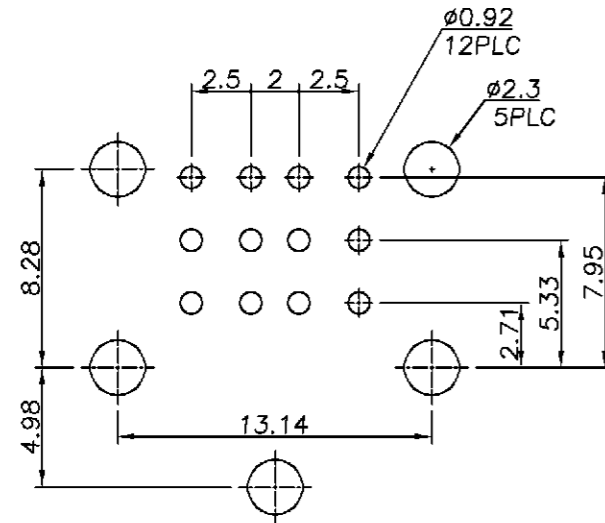
NUMBER  
C-1734181



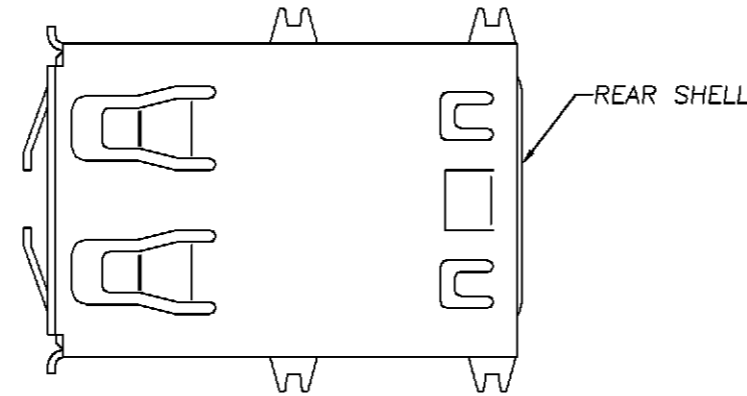
METRIC

THIS INFORMATION IS CONFIDENTIAL AND IS DISCLOSED TO YOU ON CONDITION THAT NO FURTHER DISCLOSURE IS MADE BY YOU TO OTHER THAN AMP PERSONNEL WITHOUT WRITTEN AUTHORIZATION FROM AMP (TAIWAN) LTD. DIMENSIONS IN MILLIMETERS. DO NOT SCALE PRINT.

PRINT  
DW

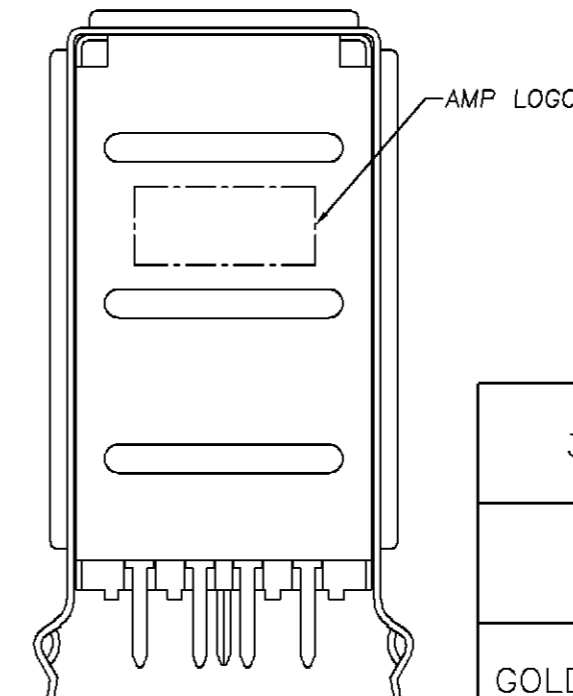
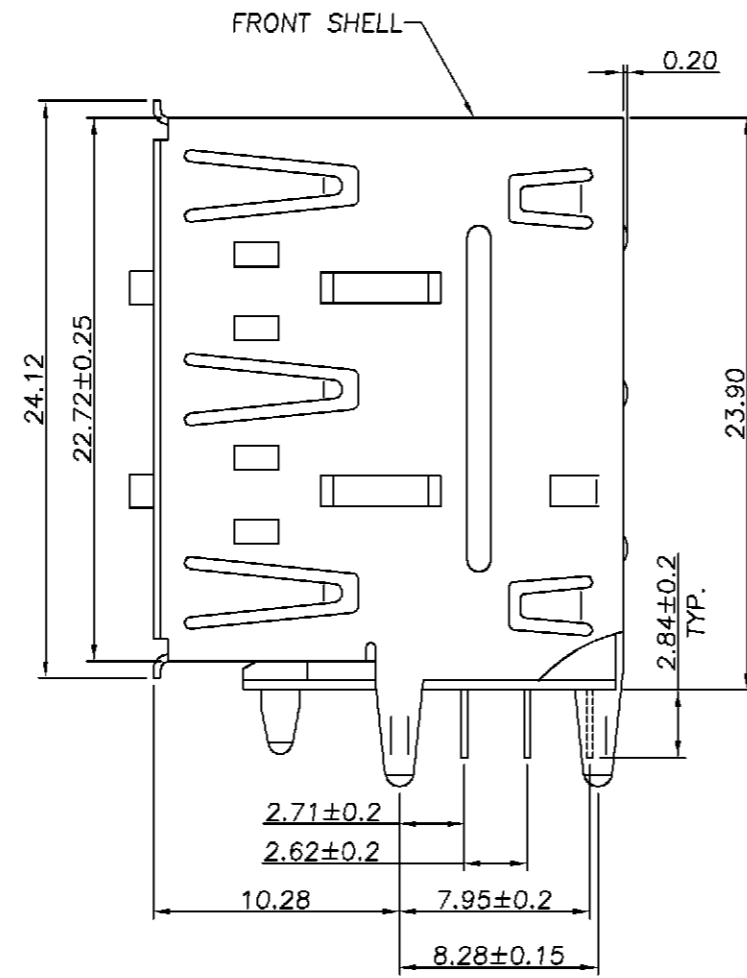
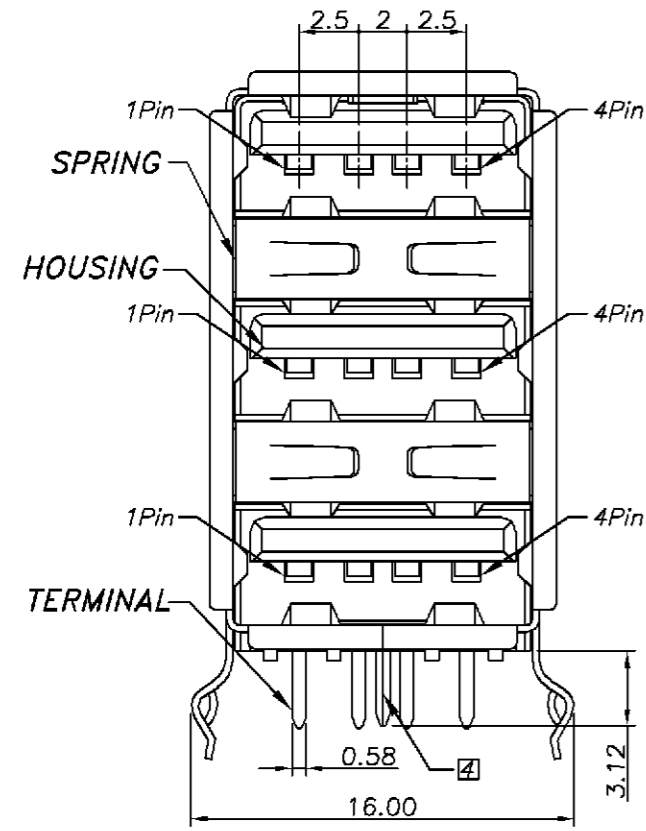


RECOMMENDED PCB LAYOUT  
PCB TOLERANCE : ±0.05



NOTES :

- MATERIAL :  
HOUSING : THERMOPLATIC, UL 94V-0, COLOR: SEE TABLE.  
CONTACT : PHOSPHOR BRONZE, (t=0.25mm).  
FRONT SHELL & SPRING : BRASS, (t=0.30mm).  
REAR SHELL : SPCC (t=0.30mm).
- FINISH :  
CONTACT : GOLD PLATED(SEE TABLE) ON CONTACT AREA, 100u" MIN. TIN PLATED ON SOLDER TAILS, 50u" MIN. NICKEL UNDERPLATED ALL OVER.  
FRONT SHELL: 40u" MIN. NICKEL PLATED OVER 50u" MIN. CU UNDERPLATED ALL OVER.  
REAR SHELL: 100u" MIN. NICKEL PLATED OVER 100u" MIN. CU UNDERPLATED ALL OVER.
- TOLERANCE : ±0.30mm.
- GAP.0.25mm(MAX.)



30μ"	BLACK	1-1734181-2
	WHITE	1-1734181-1
5μ"	BLACK	1-1734181-0
	WHITE	1734181-9
GOLD FLASH	BLACK	1734181-8
	WHITE	1734181-7
MIN. GOLD THICKNESS	HSG. COLOR	PART NUMBER

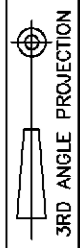
DIMENSION : 0 PLC ± 1 PLC ± 2 PLC ± 3 PLC ± ANGLES ±3'	DWN	O. HU 29-APR-2004	TYCO HOLDINGS (BERMUDA) VII LTD. TAIWAN BRANCH
	MATERIAL	APVD	
SEE NOTE	PRODUCT SPEC	RCPT. ASS'Y TRIPLE STACKED USB, R/A, A TYPE.	
FINISH	APPLICATION SPEC	LOC DW	SIZE A <sub>3</sub> DRAWING NO C-1734181 REV 0
SEE NOTE	WEIGHT	SCALE	SHEET 2 OF 3

SEE SHEET 1	ECN	DWN	CHK	DATE
LTR	REVISION RECORD			

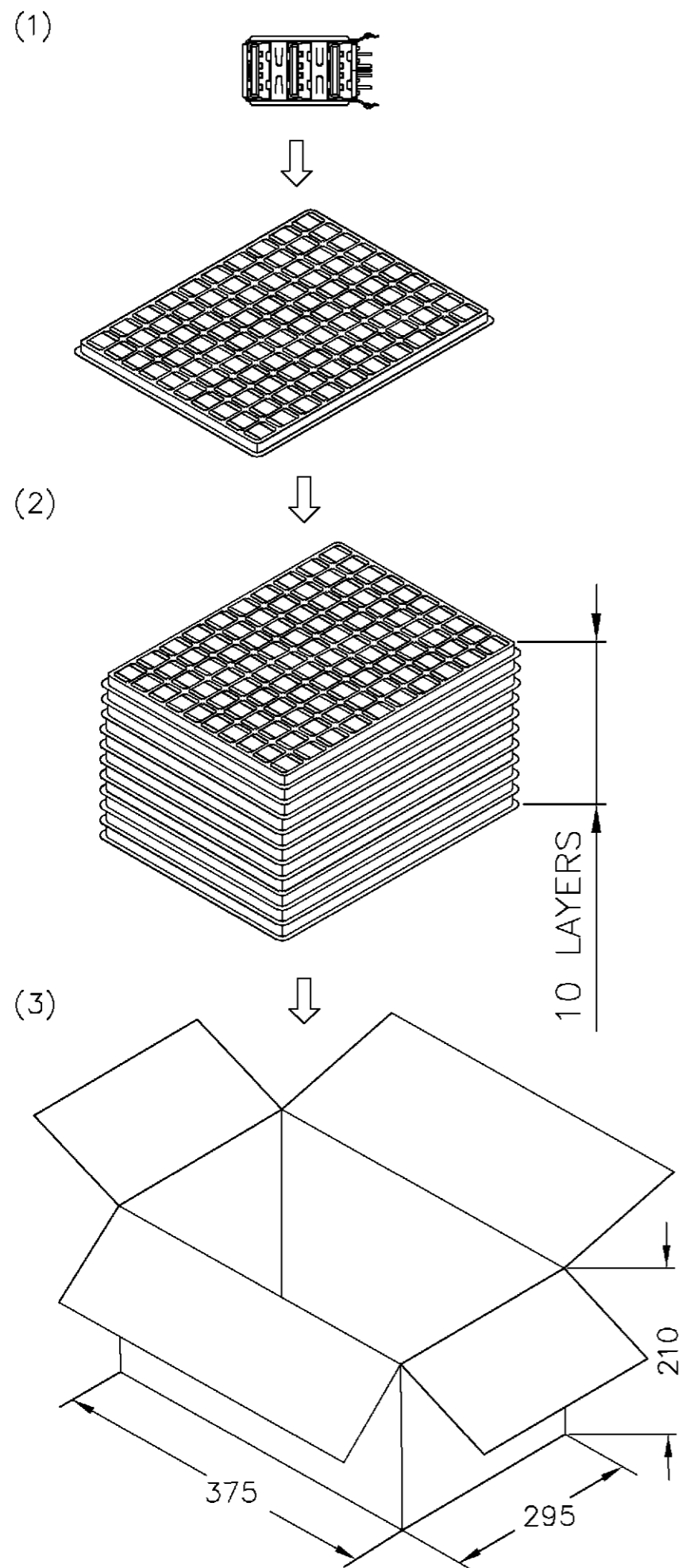
THIS INFORMATION IS CONFIDENTIAL AND IS DISCLOSED TO YOU ON CONDITION THAT NO FURTHER DISCLOSURE IS MADE BY YOU TO OTHER THAN AMP PERSONNEL WITHOUT WRITTEN AUTHORIZATION FROM AMP (TAIWAN) LTD. DIMENSIONS IN MILLIMETERS. DO NOT SCALE PRINT.

PRINT DIST  
DW

METRIC



NUMBER  
C-1734181



NOTE :

1. PACKING MATERIAL :  
 TRAY : PS  
 BAG : PE  
 SHIPPING CARTON : CORRUGATED

2. QUANTITY :  
 100 PCS/TRAY  
 10 TRAY/SHIPPING CARTON

LTR	SEE SHEET 1	ECN	DWN	CHK	DATE
	REVISION RECORD				

DIMENSION :	0 PLC ±	DWN	O. HU	<b>tyco</b> TYCO HOLDINGS (BERMUDA) <b>Electronics</b> VII LTD. TAIWAN BRANCH
	1 PLC ±	29-APR-2004	S. HOU	
MATERIAL	2 PLC ±	CHK	T. KE	RCPT. ASS'Y TRIPLE STACKED USB, R/A, A TYPE.
	3 PLC ±	29-APR-2004	APVD	
FINISH	ANGLES ±	PRODUCT SPEC	APPLICATION SPEC	LOC DW
	SEE NOTE	SEE NOTE	WEIGHT	SIZE <b>A<sub>3</sub></b>
			SCALE	DRAWING NO C-1734181
				REV 0
				SHEET 3 OF 3

CUSTOMER DRAWING